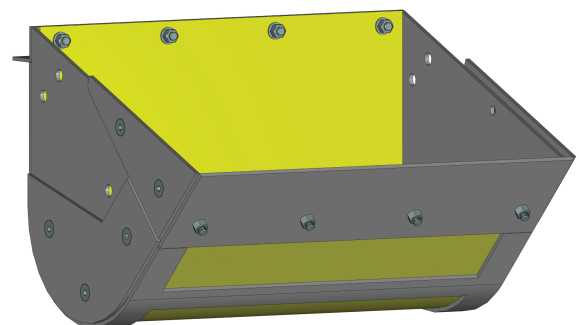
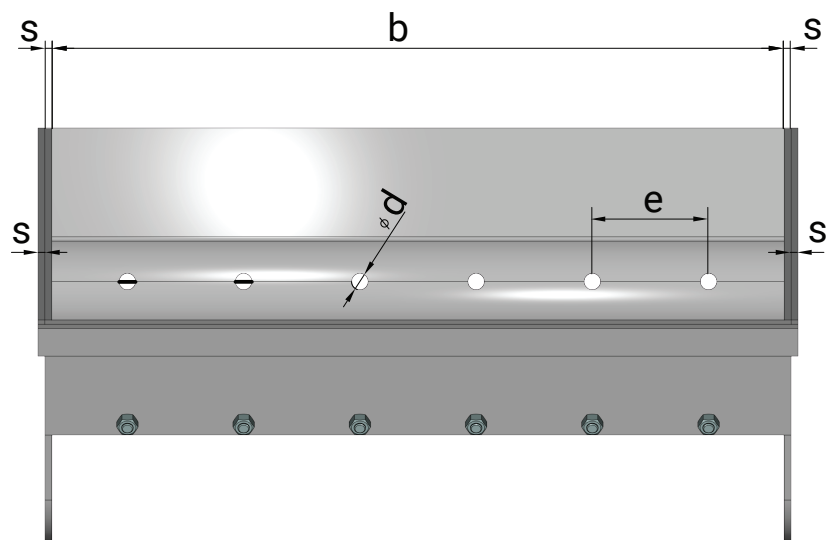
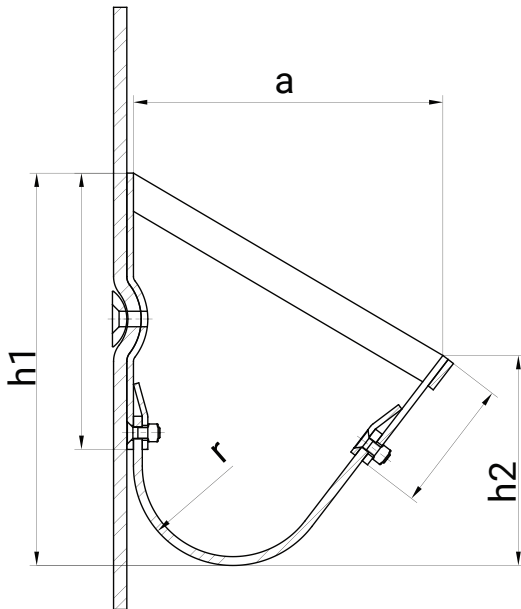


Buckets with rubber bases

We produce buckets with rubber bases according to the usual DIN standards: DIN 15231, DIN 15232, DIN 15233, DIN 15234 and DIN 15235.

However, we also supply elevator buckets with rubber bottom in many other shapes according to your specifications, samples and drawings. Cups with a rubber base are primarily used for products which are sticky, for example wet sand



Material: Steel St-37, St-52 / HARDOX / Creusabro / Stainless steel 1.4301, 1.4404, 1.4571, 1.4016 / Aluminium / heat-resisting steel

Surface execution: Primed, galvanized, enameled, pickled, sand blasted

For use in: heavy, loose and thick goods, concrete, coal, sand, pebbles, gravel, lime, wet sand